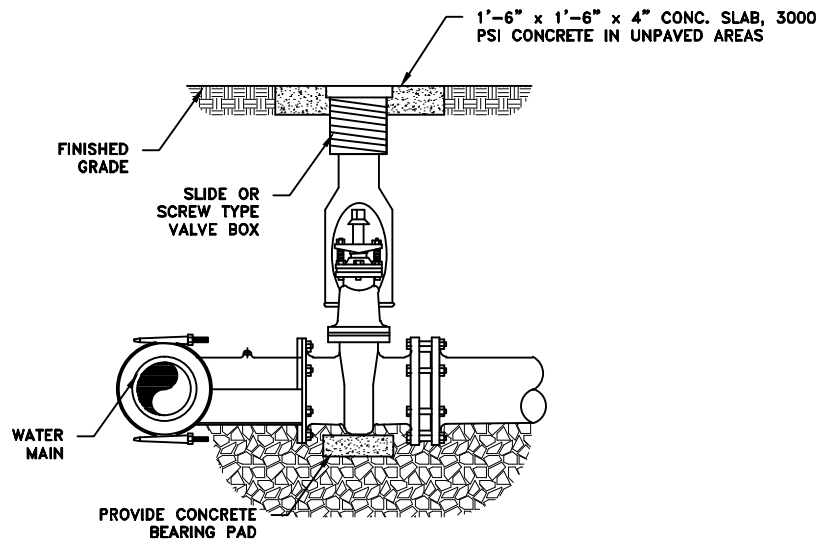


PLAN



PROFILE

TAPPING SLEEVE AND VALVE DETAIL

NOTE:

1. AMERICAN WATER PERMITS SIZE ON SIZE TAPPING OF WATER MAIN CONNECTIONS FOR UP TO 12" DIAMETER MAINS.
2. SIZE ON SIZE TAPS ARE NOT PERMITTED ON MAINS LARGER THAN 12" IN DIAMETER. CUT-IN TEES SHALL BE REQUIRED.

REVISIONS
1/12 - MSG EDITS
6/13 - MSG EDITS
1/17 - MSG EDITS

AMERICAN WATER MILITARY SERVICES GROUP
CIVIL
TAPPING SLEEVE & VALVE
DETAIL

AMERICAN WATER MILITARY SERVICES GROUP
MT LAUREL, NJ 08054

AMERICAN WATER M.S.G.
330 FELLOWSHIP ROAD
MT LAUREL, NJ 08054



DRAWN BY J. ABRERA
PROJECT ENG'R J. DERUSSO
APPROVED

DATE 05-03-2010
PROJECT N/A

USE DIMENSIONS ONLY
SCALE N.T.S.

USE APPROVED DRAWINGS ONLY
FOR CONSTRUCTION PURPOSES

MSG-W-06

FINAL

MSG-W-06