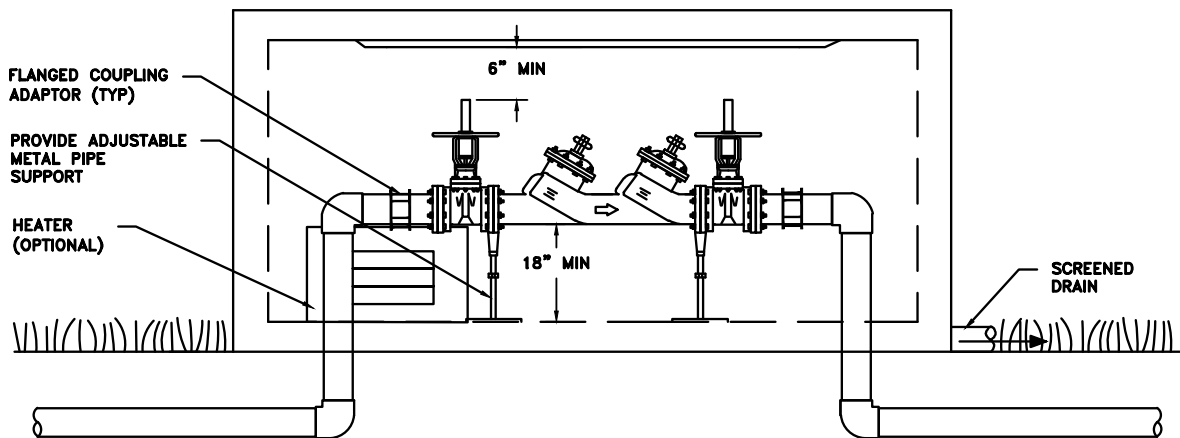


PLAN



ELEVATION

## >2" DOUBLE CHECK VALVE BACKFLOW PREVENTER-EXTERIOR

**NOTES:**

1. LARGE ASSEMBLIES ARE THOSE 2½" AND LARGER.
2. ASSEMBLY SHALL NOT BE SUBJECT TO FLOODING.
3. DCDA's ARE TYPICALLY INSTALLED ABOVE-GRADE.
4. DCDA's SHALL BE INSTALLED ABOVE THE 100 YEAR FLOOD LEVEL, UNLESS OTHERWISE APPROVED BY AW.
5. BRASS OR PLASTIC PLUGS ARE REQUIRED FOR ALL TESTING PORTS.
6. DRAIN PIPE SHALL BE SIZED ACCORDING TO THE MANUFACTURERS FLOW CURVE TO DETERMINE THE MAXIMUM DISCHARGE RATE.
7. ACCESS HATCH SHALL BE ABOVE THE CENTERLINE OF THE ASSEMBLY.
8. PROVIDE HEAT WHEN DIRECTED BY AW PROJECT MANAGER.

REVISIONS
12/13 - MSG EDITS
01/16 - MSG EDITS
01/17 - MSG EDITS

AMERICAN WATER STANDARD  
CIVIL  
**>2" BACKFLOW PREVENTER-EXTERIOR  
DOUBLE CHECK VALVE ASSEMBLY (DCVA)**

AMERICAN WATER MILITARY SERVICES GROUP  
MT LAUREL, NJ 08054

AMERICAN WATER M.S.G.  
330 FELLOWSHIP ROAD  
MT LAUREL, NJ 08054



DRAWN BY JRQ  
PROJECT ENG'R PDK  
APPROVED

DATE 12-08-11  
PROJECT IP

USE DIMENSIONS ONLY  
SCALE N.T.S.

USE APPROVED DRAWINGS ONLY  
FOR CONSTRUCTION PURPOSES

MSG-W-18

FINAL

MSG-W-18