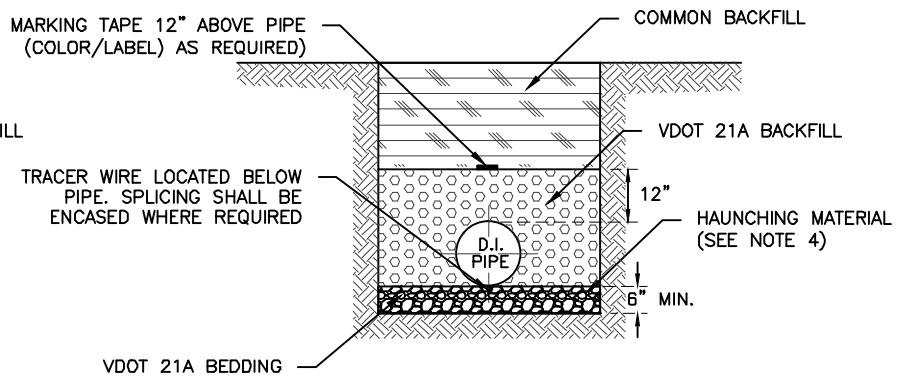


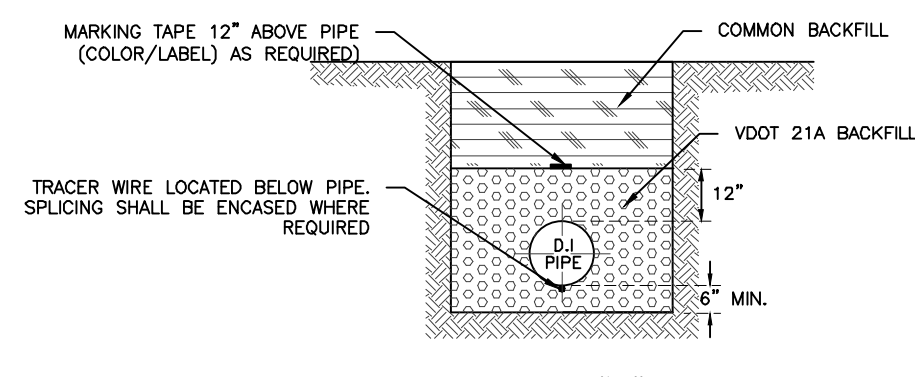
DETAIL "A"

PVC - ROCK/SOIL
FOR AREAS NOT TO BE PAVED



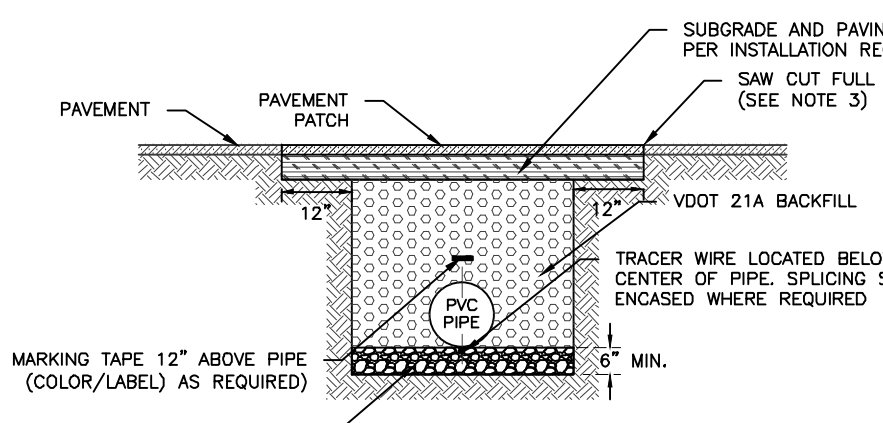
DETAIL "C"

D.I. - SOIL
FOR AREAS NOT TO BE PAVED



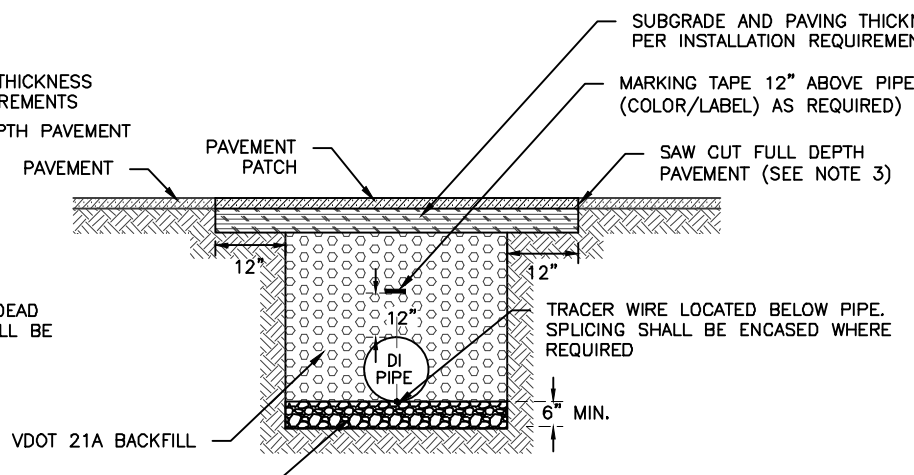
DETAIL "E"

D.I. - ROCK
FOR AREAS NOT TO BE PAVED



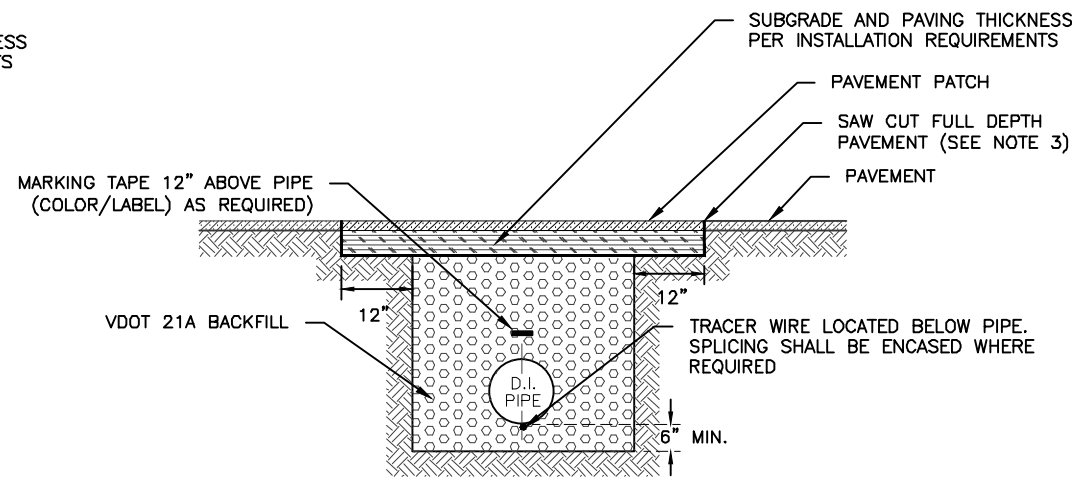
DETAIL "B"

PVC - ROCK/SOIL
FOR PAVED AREAS OR AREAS TO BE PAVED OR WITHIN 18" OF PAVING



DETAIL "D"

D.I. - SOIL
FOR PAVED AREAS OR AREAS TO BE PAVED OR WITHIN 18" OF PAVING



DETAIL "F"

D.I. - ROCK
FOR PAVED AREAS OR AREAS TO BE PAVED OR WITHIN 18" OF PAVING

GENERAL NOTE:

1. CAUTION MUST BE EXERCISED TO ENSURE PROPER PLACEMENT OF EMBEDMENT MATERIAL UNDER THE HAUNCHES OF THE PIPE.
2. POLYETHYLENE ENCASING ON ALL D.I. PIPE, FITTINGS, VALVES & APPURTENANCES.
3. IF EDGE OF SAW CUT IS <= 4LF FROM CURB LINE, REMOVE PAVEMENT TO CURB.
4. STONE BACKFILL TO BE MECHANICALLY COMPACTED IN 6"-12" LIFTS.
5. REFER SPECIFICATION SECTIONS FOR DESCRIPTION OF BACKFILL AND BEDDING MATERIAL.
6. TYPICAL TRENCH WIDTH SHALL BE PIPE O.D.+2'.
7. GRANULAR PIPE BEDDING SHALL MEET REQUIREMENTS FOR COARSE AGGREGATE, SIZE n0. 57 STONE FOR NON-PRESSURE PIPE IN ACCORDANCE WITH VDOT ROAD AND BRIDGE SPECIFICATIONS.
8. GRANULAR PIPE BEDDING SHALL MEET REQUIREMENTS FOR SIZE NO. 21A AND 21B STONE FOR PRESSURE PIPE IN ACCORDANCE WITH VDOT ROAD AND BRIDGE SPECIFICATIONS.

REVISIONS 7/12 - MSG EDITS 12/13 - MSG EDITS 1/16 - MSG EDITS 1/17 - MSG EDITS	AMERICAN WATER MILITARY SERVICES GROUP CIVIL TRENCH RESTORATION DETAIL
AMERICAN WATER MILITARY SERVICES GROUP MT LAUREL, NJ 08054	
AMERICAN WATER M.S.G. 330 FELLOWSHIP ROAD MT LAUREL, NJ 08054	
DRAWN BY PDK PROJECT ENG'R PDK APPROVED	DATE 05-17-2010 PROJECT N/A USE DIMENSIONS ONLY SCALE N.T.S.
USE APPROVED DRAWINGS ONLY FOR CONSTRUCTION PURPOSES	
MSG-ST-02-VA	