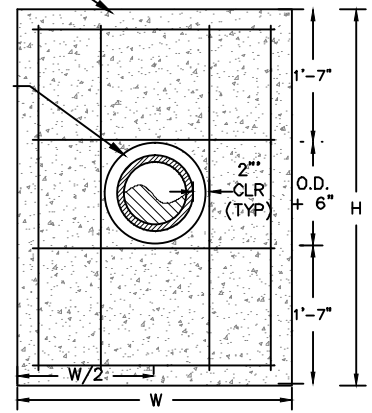
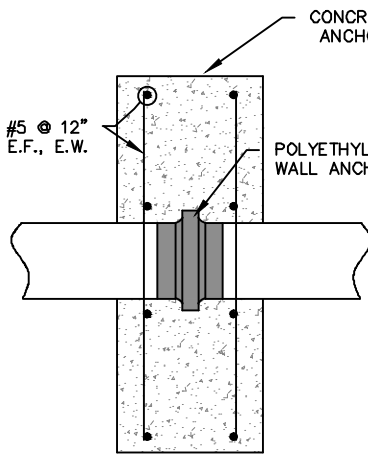
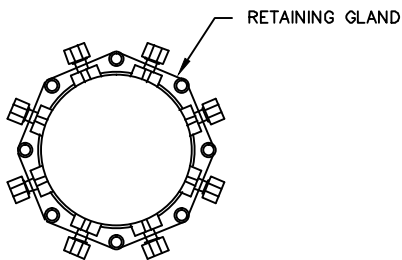


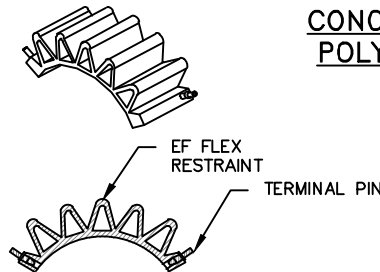
**MJ ADAPTER  
HDPE TO PLAIN END PVC**



**CONCRETE ANCHOR WITH  
POLYETHYLENE ANCHOR**

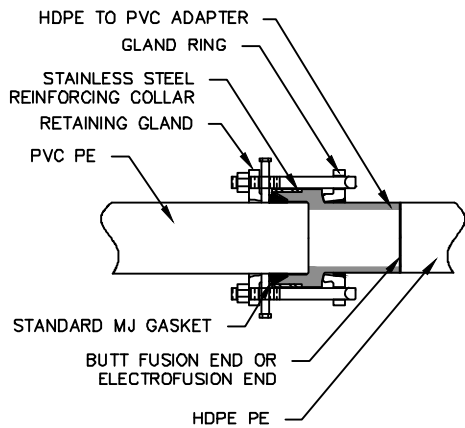


**RETAINING GLANDS  
FOR PVC PIPES**

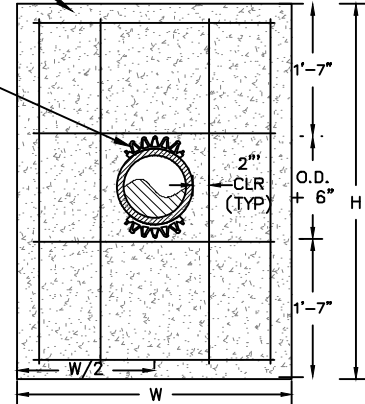
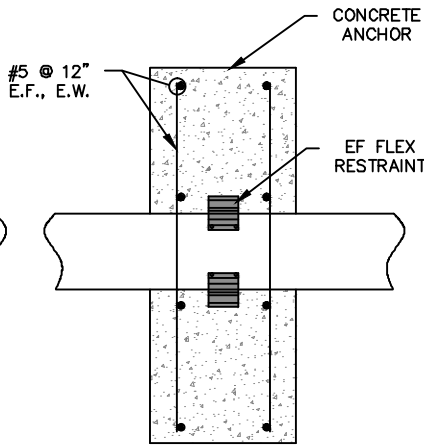


**FE FLEX  
RESTRAINT**

CONCRETE ANCHOR TABLE			
PIPE SIZE	W	H	T
8"	4'-9"	4'-4"	12"
10"	6'-9"	4'-6"	12"
12"	9'-2"	4'-8"	12"



**MJ ADAPTER  
HDPE TO PLAIN END PIPE**



**CONCRETE ANCHOR WITH FE  
FLEX RESTRAINT DEVICE**

**HDPE CONNECTION RESTRAINTS**

REVISIONS

AMERICAN WATER MILITARY SERVICES GROUP  
CIVIL  
HDPE CONNECTION RESTRAINT  
DETAIL 2

AMERICAN WATER MILITARY SERVICES GROUP  
MT LAUREL, NJ 08054

AMERICAN WATER M.S.G.  
330 FELLOWSHIP ROAD  
MT LAUREL, NJ 08054



DRAWN BY PDK  
PROJECT ENG'R PDK  
APPROVED

DATE 12-18-2013  
PROJECT N/A

USE DIMENSIONS ONLY  
SCALE N.T.S.

USE APPROVED DRAWINGS ONLY  
FOR CONSTRUCTION PURPOSES

MSG-W-25B

FINAL

MSG-W-25B