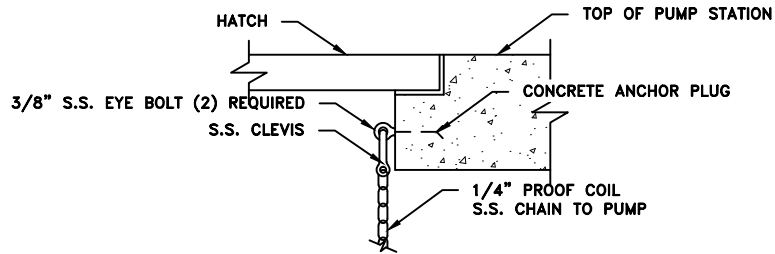
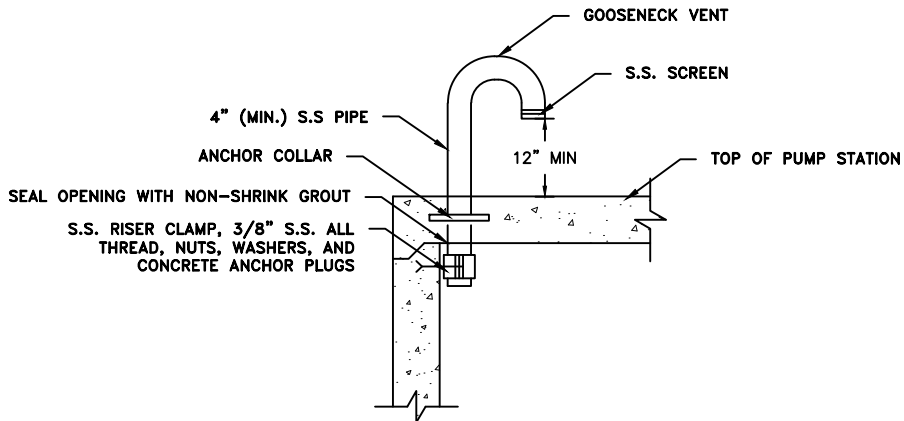


TYPICAL FLOAT HANGER BRACKET DETAIL



TYPICAL PUMP LIFT CHAIN ANCHOR DETAIL



TYPICAL PUMP STATION VENT DETAIL

REVISIONS	
6/13	MSG EDITS

AMERICAN WATER MILITARY SERVICES GROUP
 CIVIL
 PUMP STATION
 DETAILS

AMERICAN WATER MILITARY SERVICES GROUP
 MT LAUREL, NJ 08054

AMERICAN WATER M.S.G.
 330 FELLOWSHIP ROAD
 MT LAUREL, NJ 08054



DRAWN BY Z. ALAM
 PROJECT ENGR J. DERUSSO
 APPROVED DATE 04-30-2010
 PROJECT N/A

USE DIMENSIONS ONLY
 SCALE N.T.S.

USE APPROVED DRAWINGS ONLY
 FOR CONSTRUCTION PURPOSES

MSG-WW-03

FINAL

MSG-WW-03