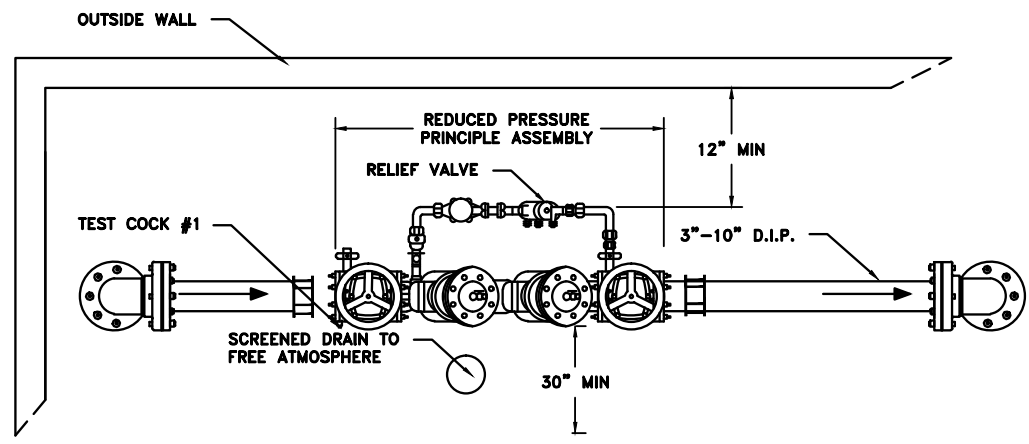


ELEVATION



PLAN

>2" REDUCED PRESSURE PRINCIPLE DECTECTOR BACKFLOW PREVENTER-INTERIOR

NOTES:

1. TEST COCK #1 SHALL BE UPSTREAM OF SHUT OFF VALVE #1 AND IS PART OF THE APPROVED ASSEMBLY.
2. ALL PIPE 3"-10" RP SHALL BE D.I.P. FROM THE TAP AT THE MAIN TO 5' PAST SHUT OFF VALVE #2.
3. A STRAINER IS RECOMMENDED ON THE INLET SIDE TO PREVENT TRASH & DEBRIS FROM FOULING THE RP. NO STRAINER IS ALLOWED ON A FIRE SERVICE LINE.
4. RESTRAINED JOINTS SHALL BE WITH MEGA LUG RESTRAINTS, OR APPROVED EQUAL.
5. FIRE LINE AND COMBINATION OF FIRE AND DOMESTIC INSTALLATION SHALL HAVE OUTSIDE STEM AND YOKE (OS & Y) HANDWHEEL OPERATOR.
6. DRAIN PIPE SHALL BE SIZED ACCORDING TO THE MANUFACTURERS FLOW CURVE TO DETERMINE THE MAXIMUM DISCHARGE RATE.

REVISIONS	AMERICAN WATER STANDARD CIVIL
12/13 - MSG EDITS	>2" BACKFLOW PREVENTER-INTERIOR REDUCED PRESSURE PRINCIPLE DETECTOR
01/16 - MSG EDITS	AMERICAN WATER VOORHEES, NJ 08043
	AMERICAN WATER.
AMERICAN WATER M.S.G. 1025 LAUREL OAK ROAD VOORHEES, NJ 08043	DRAWN BY JRQ PROJECT ENG'R PDK APPROVED
DATE 12-06-11 PROJECT IP	USE DIMENSIONS ONLY SCALE N.T.S.
USE APPROVED DRAWINGS ONLY FOR CONSTRUCTION PURPOSES	MSG-W-24

FINAL

MSG-W-24