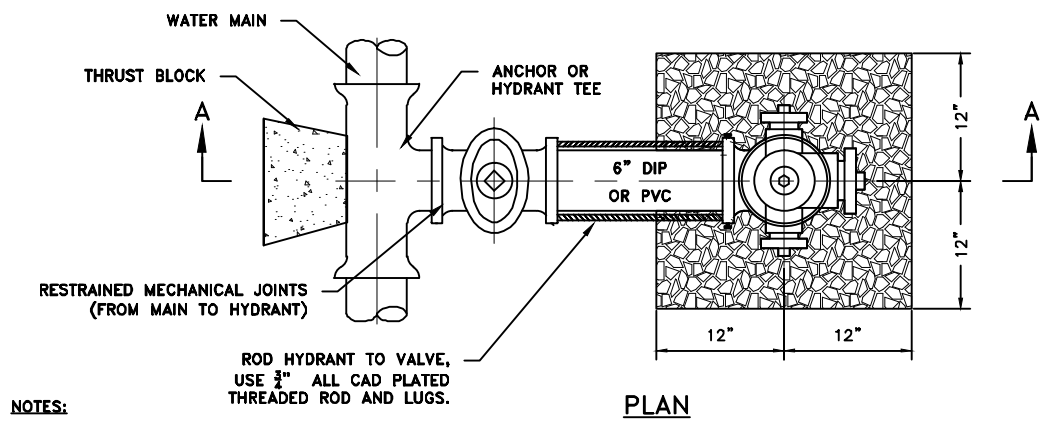


SECTION A-A



PLAN

FIRE HYDRANT

NOTES:

1. ALL HYDRANTS SHALL STAND PLUMB AND SHALL HAVE THE PUMPER NOZZLE FACING THE CURB.
2. HYDRANT BONNETS SHALL BE PAINTED TO INDICATE AVAILABLE FIRE FLOW IN ACCORDANCE WITH AMERICAN WATER SPECIFICATIONS.
3. IF HYDRANT LATERAL IS NOT RESTRAINED, CONTRACTOR SHALL PROVIDE A THRUST BLOCK BEHIND HYDRANT SHO.
4. RESTRAIN ALL JOINTS ON HYDRANT TEE, HYDRANT VALVE, AND HYDRANT LEAD.
5. AMERICAN WATER RESERVES THE RIGHT TO WAIVE STRICT COMPLIANCE WITH THIS DETAIL IN THE EVENT THAT FIELD CONDITIONS OR O&M WORK REQUIRE A WAIVER.

REVISIONS
6/13 - MSG EDITS
1/16 - MSG EDITS

AMERICAN WATER MILITARY SERVICES GROUP
 CIVIL
 FIRE HYDRANT
 DETAIL

AMERICAN WATER MILITARY SERVICES GROUP
 MT LAUREL, NJ 08054

AMERICAN WATER M.S.G.
 330 FELLOWSHIP ROAD
 MT LAUREL, NJ 08054



DRAWN BY Z. ALAM
 PROJECT ENG'R J. DERUSSO
 APPROVED

DATE 05-03-2010
 PROJECT N/A

USE DIMENSIONS ONLY
 SCALE N.T.S.

USE APPROVED DRAWINGS ONLY
 FOR CONSTRUCTION PURPOSES

MSG-W-07

FINAL

MSG-W-07