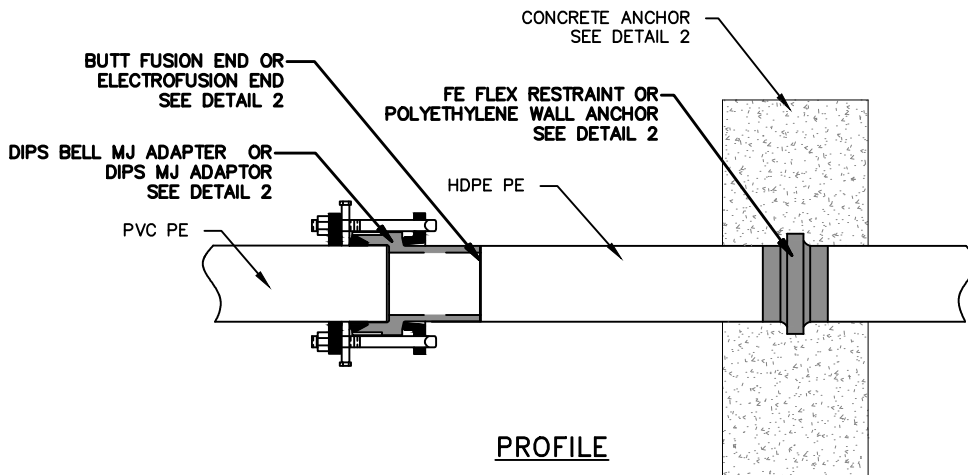


SECTION



PROFILE

HDPE CONNECTION RESTRAINTS

REVISIONS

AMERICAN WATER MILITARY SERVICES GROUP
CIVIL
HDPE CONNECTION RESTRAINT
DETAIL 1

AMERICAN WATER MILITARY SERVICES GROUP
MT LAUREL, NJ 08054

AMERICAN WATER M.S.G.
330 FELLOWSHIP ROAD
MT LAUREL, NJ 08054



DRAWN BY PDK
PROJECT ENG'R PDK
APPROVED

DATE 12-18-2013
PROJECT N/A

USE DIMENSIONS ONLY
SCALE N.T.S.

USE APPROVED DRAWINGS ONLY
FOR CONSTRUCTION PURPOSES

MSG-W-25A

FINAL

MSG-W-25A