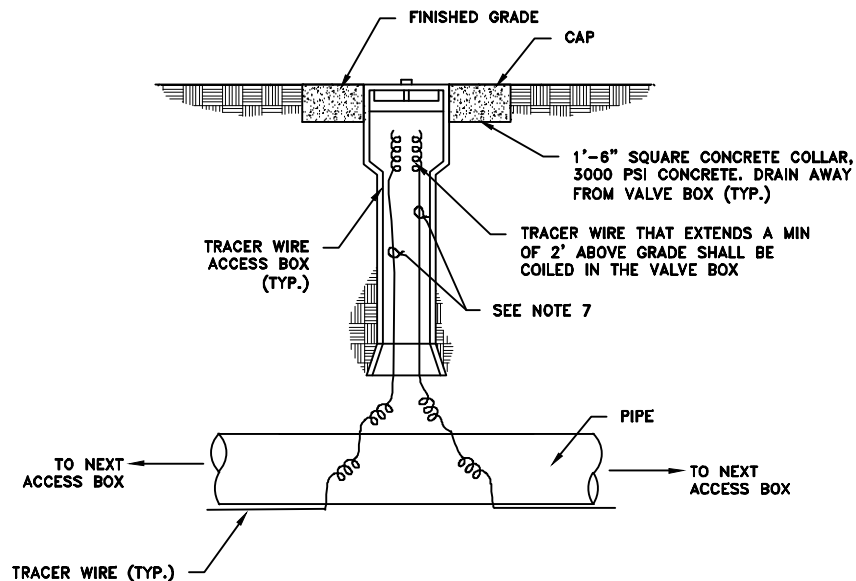


TYPICAL TRACER WIRE VALVE BOX INSTALLATION



TYPICAL TRACER WIRE ACCESS BOX INSTALLATION
NON VALVE LOCATIONS

TRACER WIRE INSTALLATION

NOTES:

1. TRACER WIRE SHALL BE TIED INTO EVERY VALVE, BLOW-OFF, ARV, AND OTHER DEVICES OR CHANGES IN DIRECTION. PROVIDE ONE TRACER WIRE TEST STATION AT MINIMUM INTERVALS AS PRESCRIBED IN AMERICAN WATER'S DESIGN GUIDE.
2. TRACER LEADS SHALL BE INSTALLED IN APPROVED CURB BOXES OR TRACER WIRE ACCESS BOXES. ACCESS BOX STYLE (LIGHT DUTY, DRIVEWAY, OR ROADWAY) SHALL BE DETERMINED BY BOX LOCATION.
3. CURB BOXES SHALL BE INSTALLED FLUSH WITH GROUND AND LOCATED OVER PIPE LINE TO WHICH TRACER LEAD IS ATTACHED.
4. TRACER LEADS SHALL HAVE ADEQUATE SLACK THROUGHOUT THE INSTALLATION TO REDUCE BREAKAGE FROM PULLING.
5. TRACER WIRE THAT EXTENDS A MIN OF 2' ABOVE GRADE SHALL BE COILED IN THE VALVE BOX AND WIRES SHALL BE PROPERLY CONNECT TO THE VALVE BOX PER MANUFACTURERS SPECIFICATIONS, ALL TRACER WIRES SHALL BE OF #12 TW SOLID COPPER WIRE.
6. EARTH AROUND VALVE BOXES SHALL BE THOROUGHLY COMPACTED AT THE TIME OF INSTALLATION, SUBCONTRACTOR SHALL MAKE ADJUSTMENTS FOR FINAL GRADING, SODDING, PAVING, AND RESTORATION AT THE COMPLETION OF EACH PROJECT. SUBCONTRACTOR SHALL PROTECT THE LEADS, BOXES, AND ALL TRACER WIRES THROUGHOUT THE PROJECT. SUBCONTRACTOR SHALL BE RESPONSIBLE FOR ALL WATER AND WASTEWATER UTILITY LOCATIONS THROUGHOUT THE PROJECT AND UNTIL APPROVED AND ACCEPTED BY AMERICAN WATER.
7. PROVIDE ONE TRACER LEAD IN EACH DIRECTION UNLESS OTHERWISE NOTED.
8. CONTRACTOR SHALL CONFIRM THE REQUIREMENT FOR CONCRETE COLLARS WITH AW PRIOR TO CONSTRUCTION.

NOTE: FOR USE WITH THE SANITARY SEWER SYSTEM AND OTHER APPLICATIONS WHERE VALVE BOXES ARE NOT TYPICALLY PRESENT.

| REVISIONS |
|------------------|
| 1/12 - MSG EDITS |
| 6/13 - MSG EDITS |
| 7/14 - MSG EDITS |
| 1/16 - MSG EDITS |

AMERICAN WATER MILITARY SERVICES GROUP
CIVIL
TRACER WIRE INSTALLATION DETAIL

AMERICAN WATER MILITARY SERVICES GROUP
MT LAUREL, NJ 08054

AMERICAN WATER M.S.G.
330 FELLOWSHIP ROAD
MT LAUREL, NJ 08054



DRAWN BY J. ABRERA
PROJECT ENG'R J. DERUSSO
APPROVED

DATE 05-05-2010
PROJECT N/A

USE DIMENSIONS ONLY
SCALE N.T.S.

USE APPROVED DRAWINGS ONLY
FOR CONSTRUCTION PURPOSES

MSG-W-05

FINAL

MSG-W-05