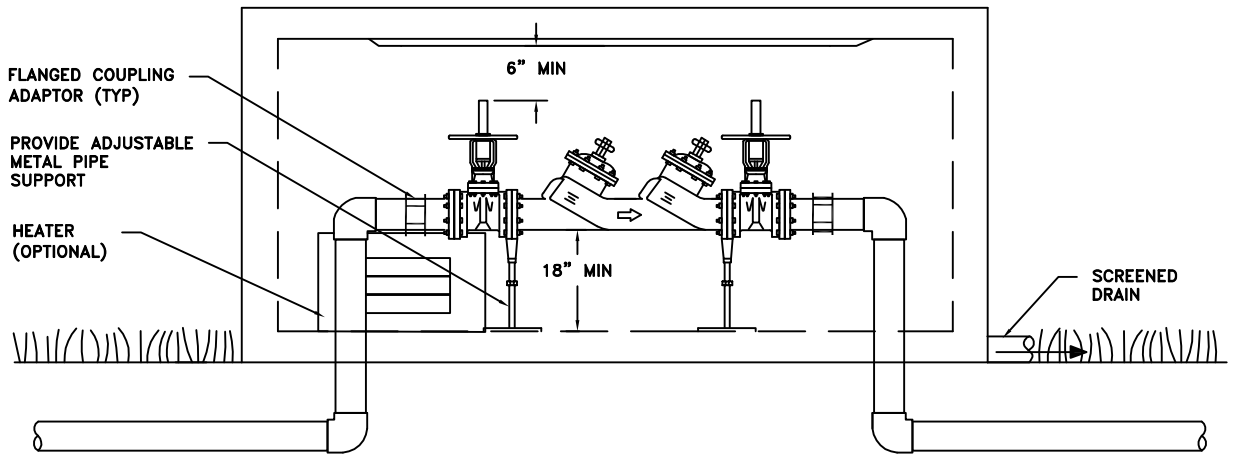


PLAN



ELEVATION

>2" DOUBLE CHECK VALVE BACKFLOW PREVENTER-EXTERIOR

NOTES:

1. LARGE ASSEMBLIES ARE THOSE 2½" AND LARGER.
2. ASSEMBLY SHALL NOT BE SUBJECT TO FLOODING.
3. DCDA's ARE TYPICALLY INSTALLED ABOVE-GRADE.
4. DCDA's SHALL BE INSTALLED ABOVE THE 100 YEAR FLOOD LEVEL, UNLESS OTHERWISE APPROVED BY AW.
5. BRASS OR PLASTIC PLUGS ARE REQUIRED FOR ALL TESTING PORTS.
6. DRAIN PIPE SHALL BE SIZED ACCORDING TO THE MANUFACTURERS FLOW CURVE TO DETERMINE THE MAXIMUM DISCHARGE RATE.
7. ACCESS HATCH SHALL BE ABOVE THE CENTERLINE OF THE ASSEMBLY.
8. PROVIDE HEAT WHEN DIRECTED BY AW PROJECT MANAGER.

<p>REVISIONS</p> <p>12/13 - MSG EDITS</p> <p>01/16 - MSG EDITS</p> <p>01/17 - MSG EDITS</p> <p>01/18 - MSG EDITS</p>	<p>AMERICAN WATER STANDARD CIVIL</p> <p>>2" BACKFLOW PREVENTER-EXTERIOR DOUBLE CHECK VALVE ASSEMBLY (DCVA)</p> <p>AMERICAN WATER MILITARY SERVICES GROUP MT LAUREL, NJ 08054</p>
	<p>AMERICAN WATER M.S.G. 330 FELLOWSHIP ROAD MT LAUREL, NJ 08054</p> <p>AMERICAN WATER.</p> <p>DRAWN BY JRQ PROJECT ENG'R PDK APPROVED</p> <p>DATE 12-06-11 PROJECT IP</p> <p>USE DIMENSIONS ONLY SCALE N.T.S.</p>
	<p>USE APPROVED DRAWINGS ONLY FOR CONSTRUCTION PURPOSES</p> <p>MSG-W-18</p>

FINAL

MSG-W-18